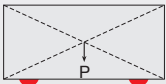
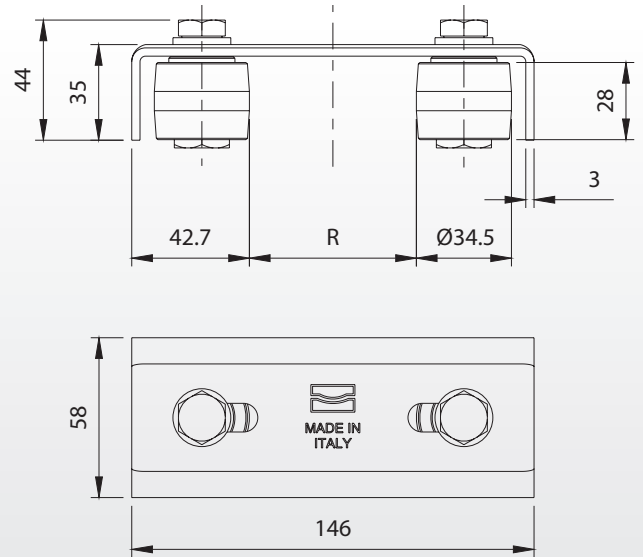
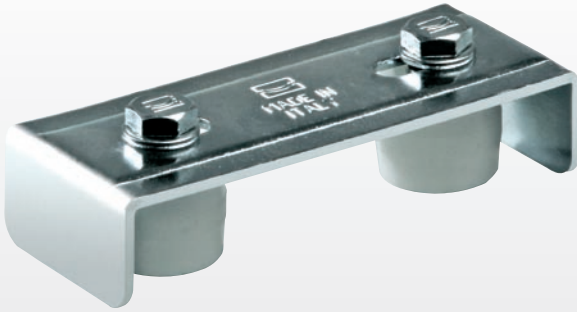




## Piastra mini guida cancello

Small drive-gate plate  
 Petite platine guide-portail  
 Kleiner Führungsbuegel



Peso uniformemente distribuito - Equally distributed weight

Articolo	Codice	R		
247	11305005 001	30-60	20	9,40

