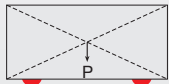
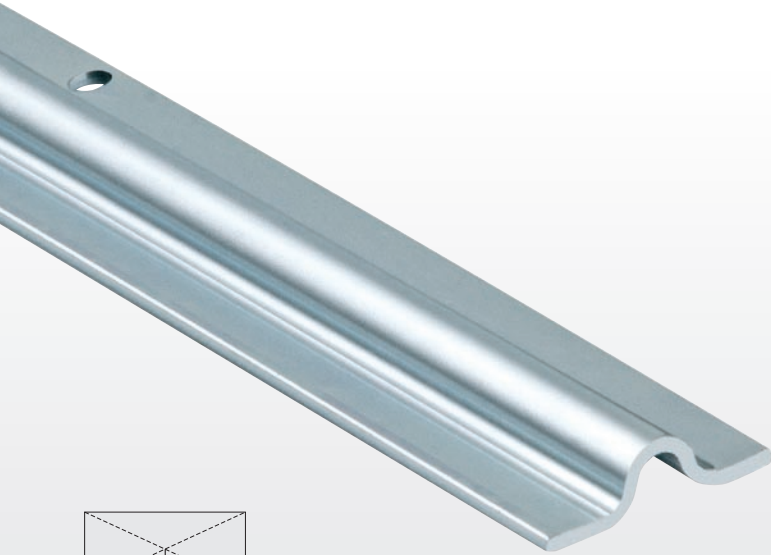


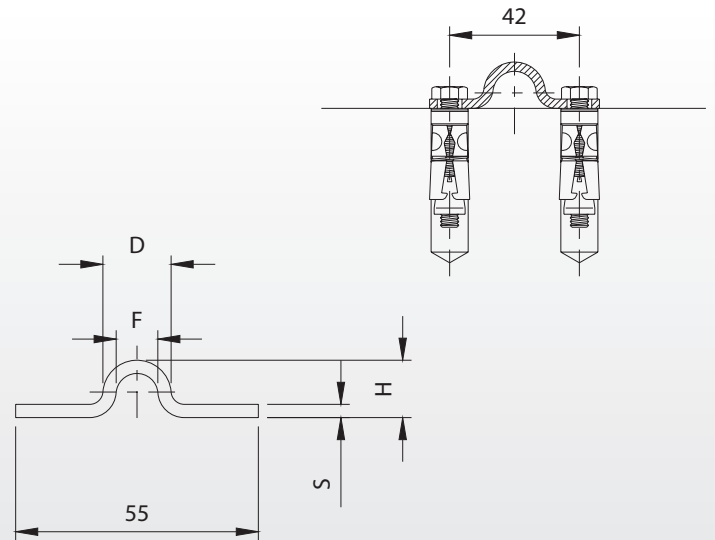
289 - 289 inox



Binario a fissare "Rapido"



Track to be bolted "Rapido"
 Rail à visser "Rapido"
 Laufschiene zum Anschrauben "Rapido"



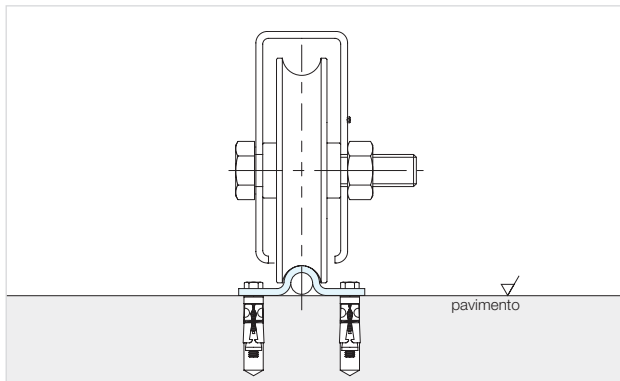
Peso uniformemente distribuito - Equally distributed weight



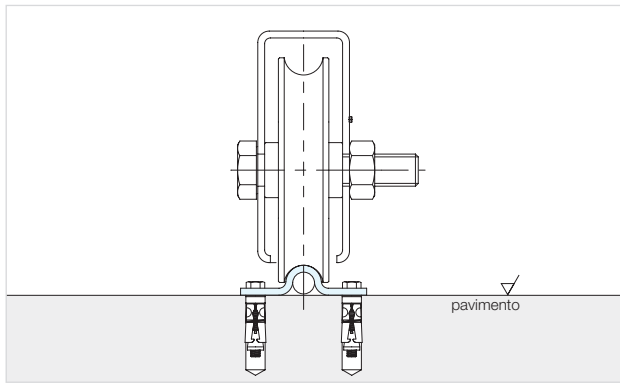
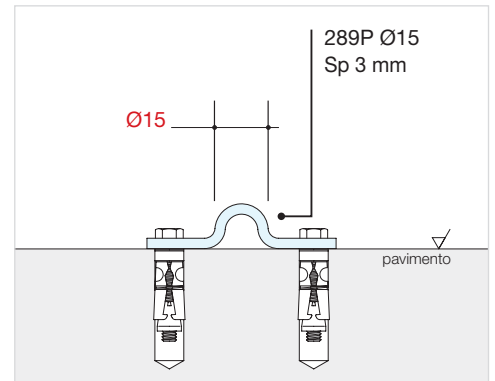
Articolo	Misura	Codice	D	F	L	H	S		
289P-Ø15-Sp3	L=3000	10201501 001	Ø15	Ø9,5	3000	13	3	25	116,00
289P-Ø15-Sp3	L=6000	10201502 001	Ø15	Ø9,5	6000	13	3	25	232,00
289G-Ø19-Sp3	L=3000	10201505 001	Ø19	Ø12	3000	16	3	25	123,00
289G-Ø19-Sp3	L=6000	10201510 001	Ø19	Ø12	6000	16	3	25	246,00

Articolo	Misura	INOX	D	F	L	H	S		
289I-G-Ø19-Sp2	L=3000	10201605	Ø19	Ø12	3000	15	2	1	3,30
289I-G-Ø19-Sp2	L=6000	10201610	Ø19	Ø12	6000	15	2	1	6,60

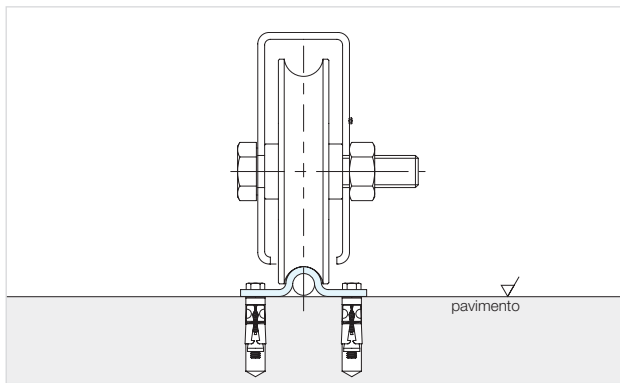
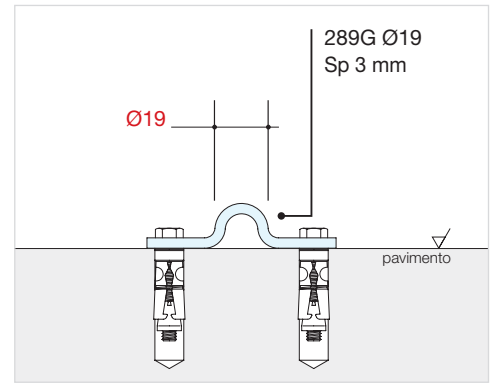




1



2



3

289 INOX

